

FEATURES & BENEFITS:

No footing or foundation required

- can be placed in many environments with minimal site preparation

Water-proof construction

- joint is sealed to withstand extreme weather conditions

Reinforced precast concrete construction

- requires no external/internal Maintenance

Vandal Resistant

- 38" x 72" x 2" steel access door with Dorex dead-bolt lock and tamper-proof hinges

Total Weight.....5443Kg (12,000Lb)

APPLICATIONS:

Agriculture/Industrial/Construction

- Storage of hazardous chemicals, fertilizers, paints, explosives, tools and equipment

Hydro/Telephone

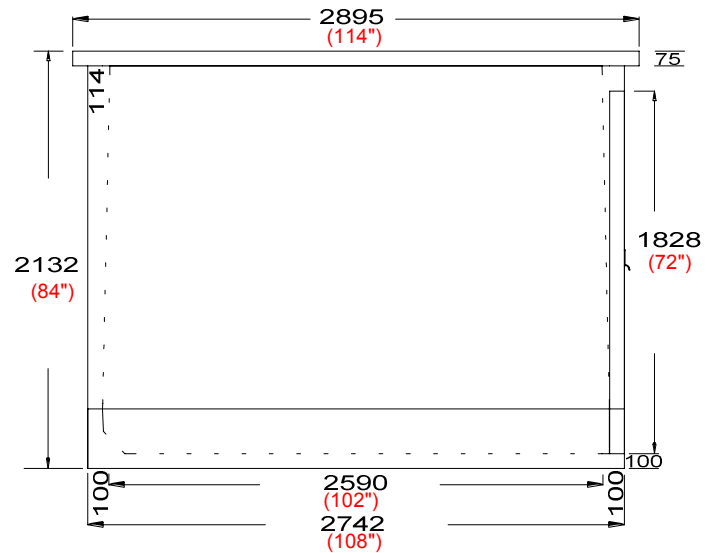
- Provides remote security for relay stations, sub-stations, lighting/power facilities plus miscellaneous storage for material and equipment

Public Facilities

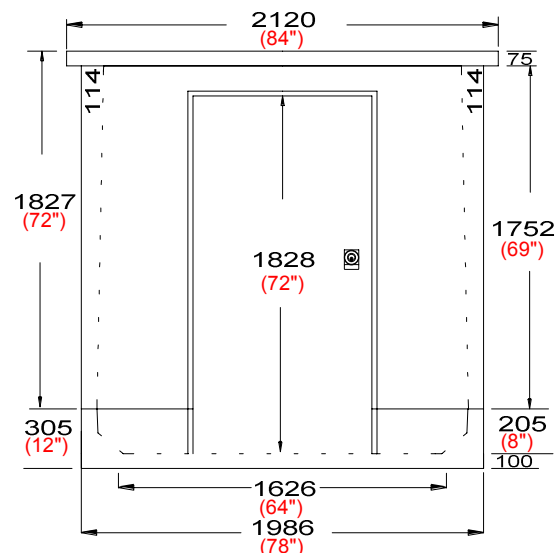
- Ideal storage space for lawn mowers and environmentally hazardous chemicals.
- Can be used at schools, public/private parks, marinas, golf courses and other recreational facilities

Residential

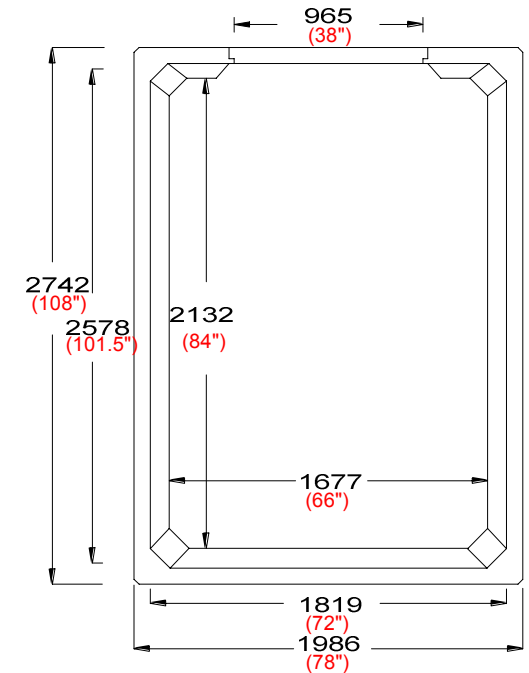
- Storage space for garden tools and equipment, ideal for pool shed/change room



Side Elevation Section Left



End Elevation Section



Interior Dimensions

- Vault cast with 35 MPA strength concrete at 7 days with 5-7% air
- Steel reinforced with 10m rebar spaced at 400mm both directions
20m rebar over doorway, rebar cover is 25mm
- Vaults are delivered and set in place providing location is level and prepared in advance and accessible by our truck