

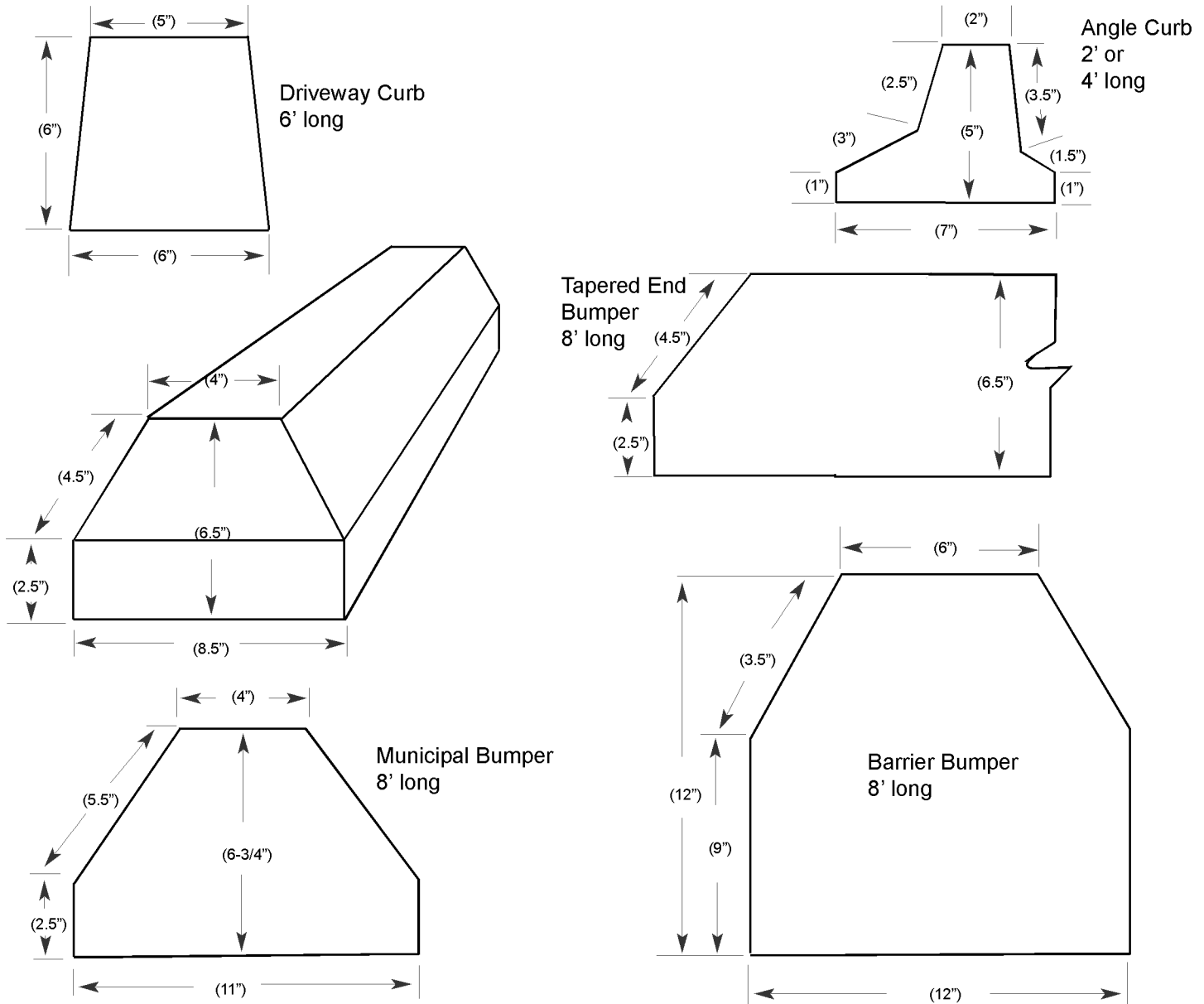


WELL TILES  
 SEPTIC TANKS  
 STAIRS & SLABS  
 RETAINING WALLS  
 BUILDING SYSTEMS  
 MANHOLES/CATCH BASINS

1979 S. Sparrow Lake Rd., Severn Bridge, ON P0E 1N0  
 Tel: 705-689-8428 Fax: 705-689-1565  
 Email: info@orilliaprecast.com www.orilliaprecast.com

OPC - CURBS

## BUMPERS AND CURBS



## SPECIFICATIONS

- Parking bumpers can be pinned to asphalt or gravel
- Concrete Strength - 4600psi/32mpa (minimum)
- Steel Reinforced