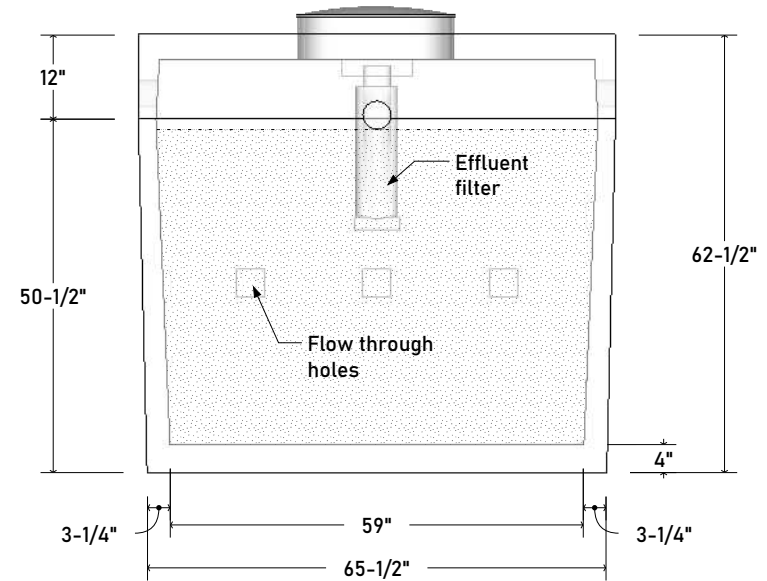
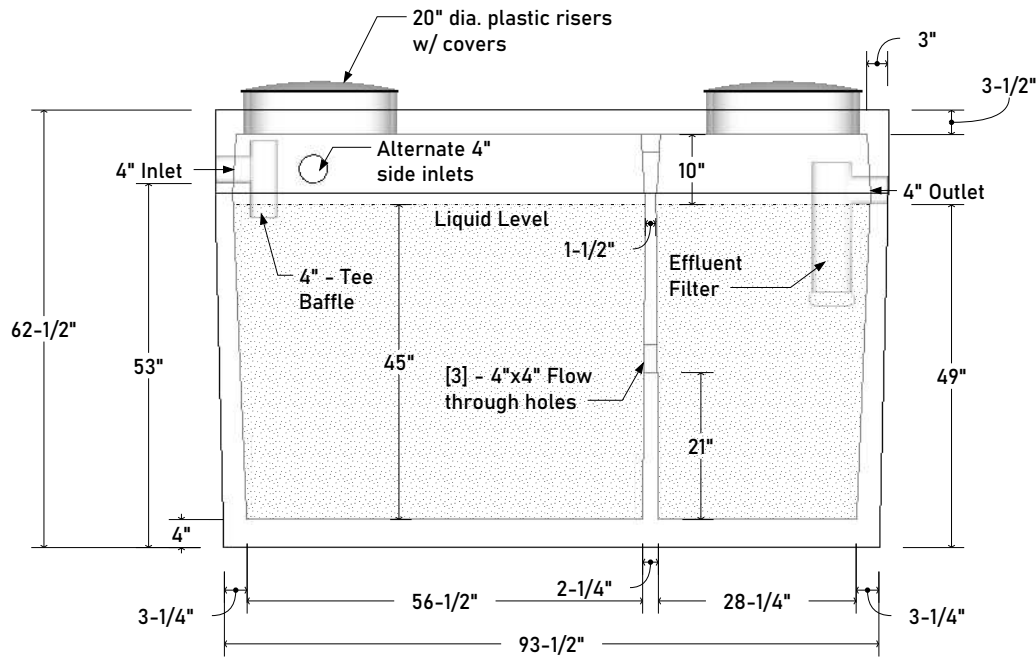
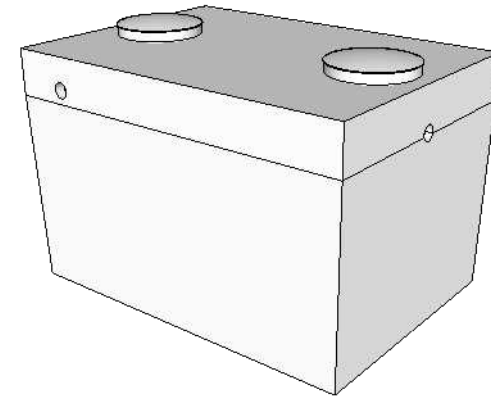
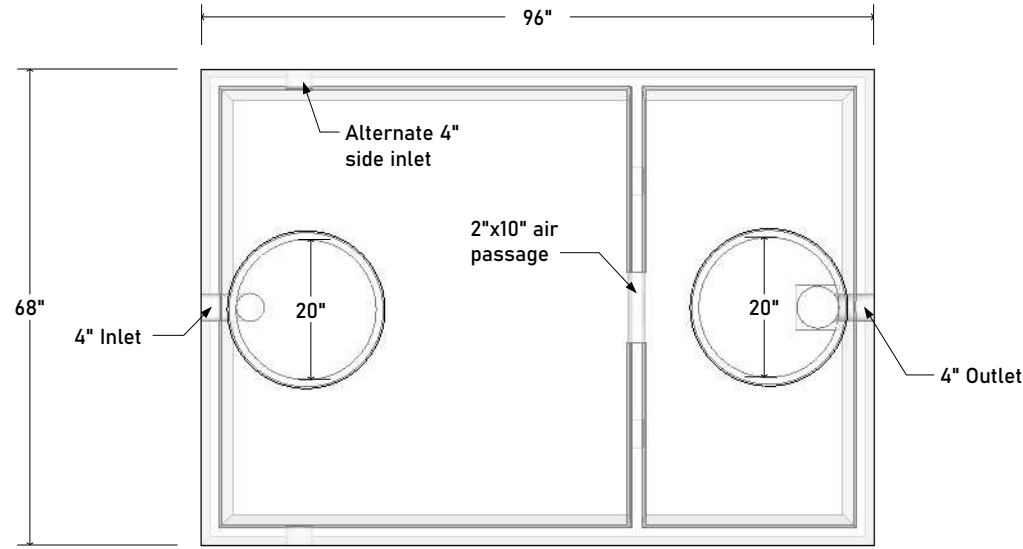


* Dimensions: 96" L x 68" W x 63" H

* Invert - 53" Outlet - 49"



**OPC - 850 gal
3800 liters**

- NOTES:**
- * Concrete strength - 4600 psi / 32 mpa (minimum)
 - * Steel reinforced
 - * Additional plastic risers available for variable grade requirements
 - * 4" pipe seal inlets and 4" pvc outlet (c/w effluent filter)

WEIGHT: (approx) TOTAL: 8840 lbs / 4010 kg TOP: 2870 lbs / 1300 kg BOTTOM: 5980 lbs / 2710 kg



1979 S. Sparrow Lake Rd.
Severn Bridge, ON P0E-1N0
Tel: 705-689-8428
Fax: 705-689-1565
info@orilliaprecast.com
www.orilliaprecast.com