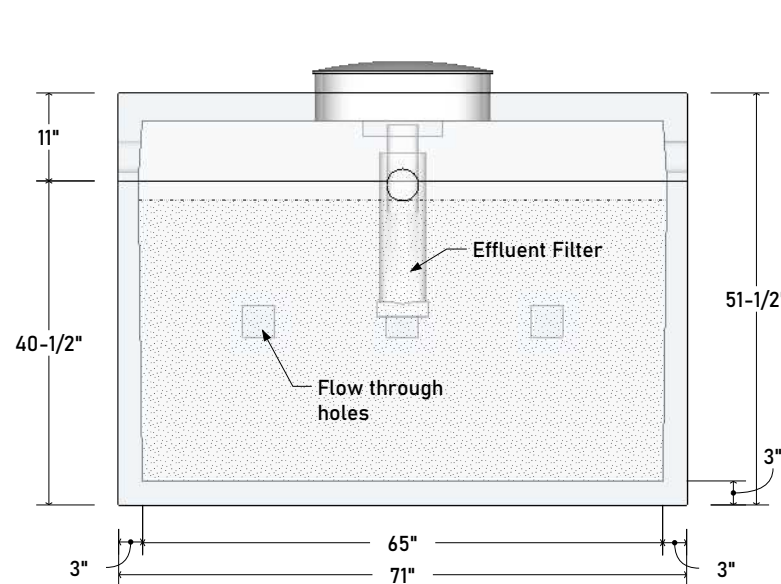
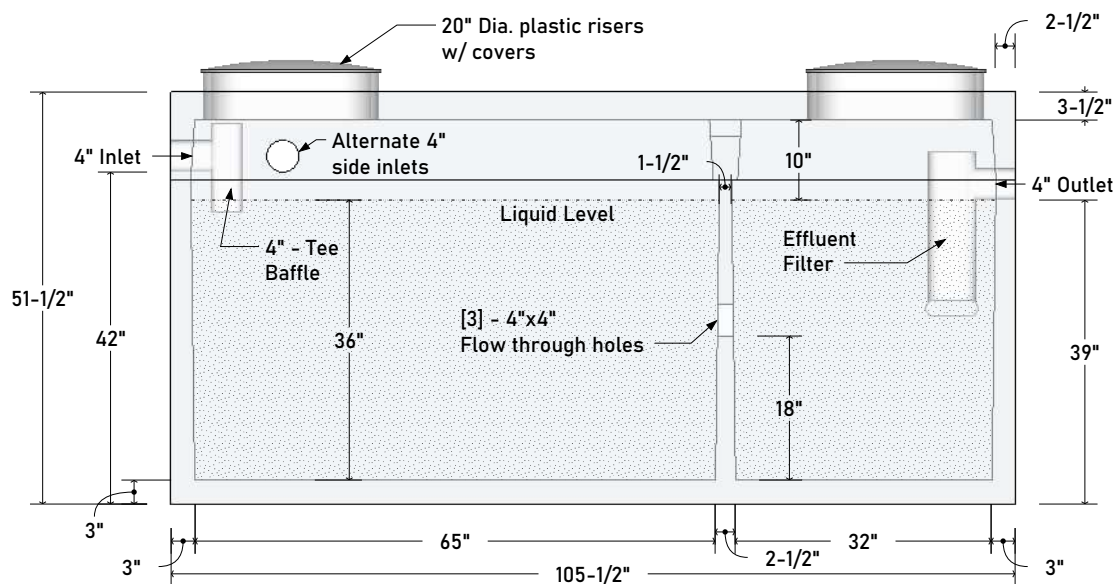
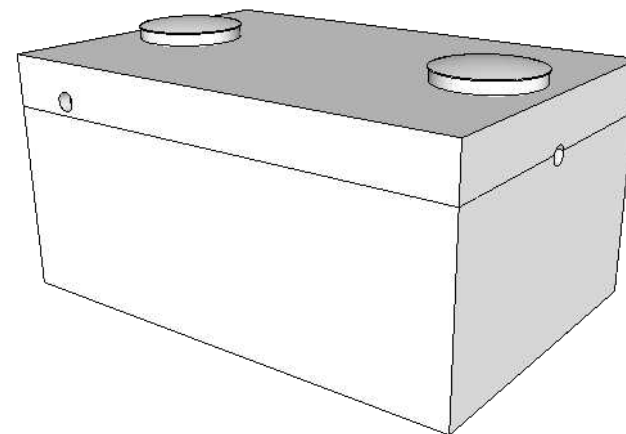
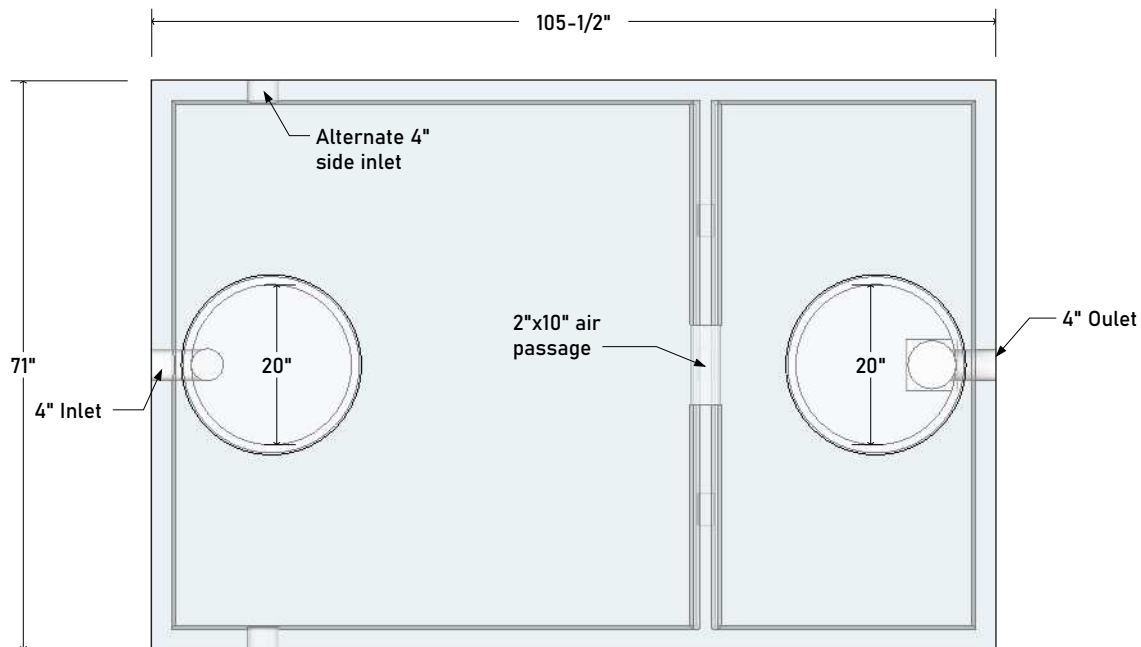


\* Dimensions: 105" L x 71" W x 51" H

\* Invert - 42" Outlet - 39"



**OPC - 800 gal LOW  
3600 liters**

- NOTES:**
- \* Concrete strength - 4600 psi / 32 mpa (minimum)
  - \* Steel reinforced
  - \* Additional plastic risers available for variable grade requirements
  - \* 4" pipe seal inlets and 4" pvc outlet (c/w effluent filter)

**WEIGHT:** (approx) TOTAL: 9105 lbs / 4130 kg TOP: 3040 lbs / 1380 kg BOTTOM: 6070 lbs / 2750 kg



1979 S. Sparrow Lake Rd.  
Severn Bridge, ON P0E-1N0  
Tel: 705-689-8428  
Fax: 705-689-1565  
info@orilliaprecast.com  
www.orilliaprecast.com