



SEPTIC TANKS  
RETAINING WALLS  
BUILDING SYSTEMS

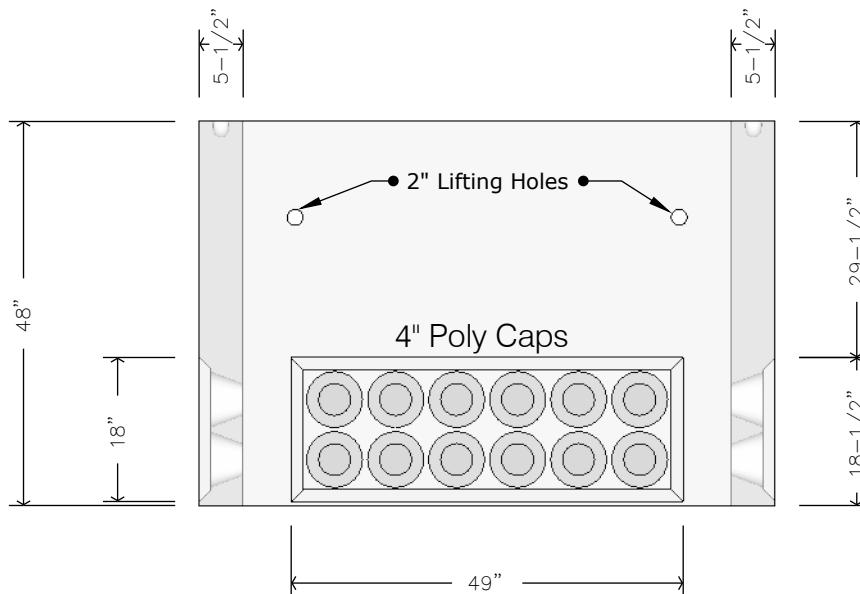
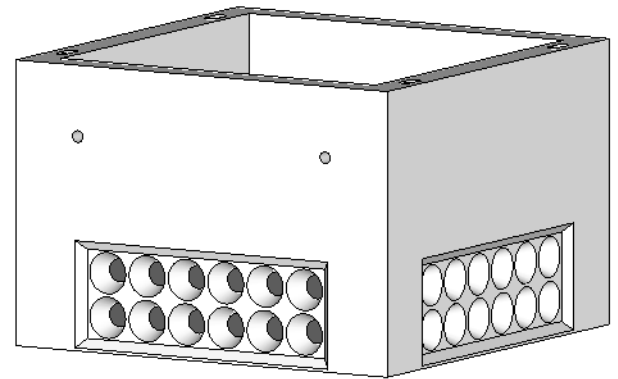
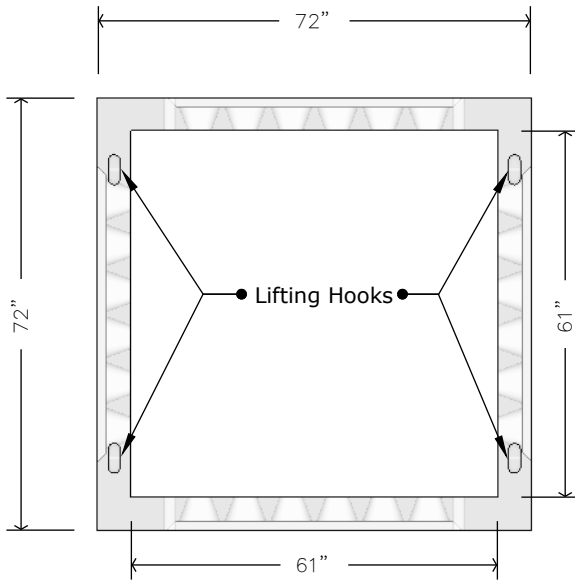
Orillia Precast Concrete Limited

1979 S. Sparrow Lake Rd., Severn Bridge, ON P0E-1N0  
Tel: 705-689-8428 Fax: 705-689-1565  
Email: info@orilliaprecast.com www.orilliaprecast.com

OPC 172 PC

22 Aug 2019

## TRANSFORMER VAULT



## SPECIFICATIONS

- \* Concrete Strength - 4500 psi / 32 mpa (minimum)
- \* Steel reinforced
- \* Cable Entry openings - Total of 48 Polycap seals for max. 4" I.D. Duct
- \* Weight - 5150 lbs / 2335 kg (approximate)
- \* Dimensions - 72" L x 72" W x 48" H - optional lid available