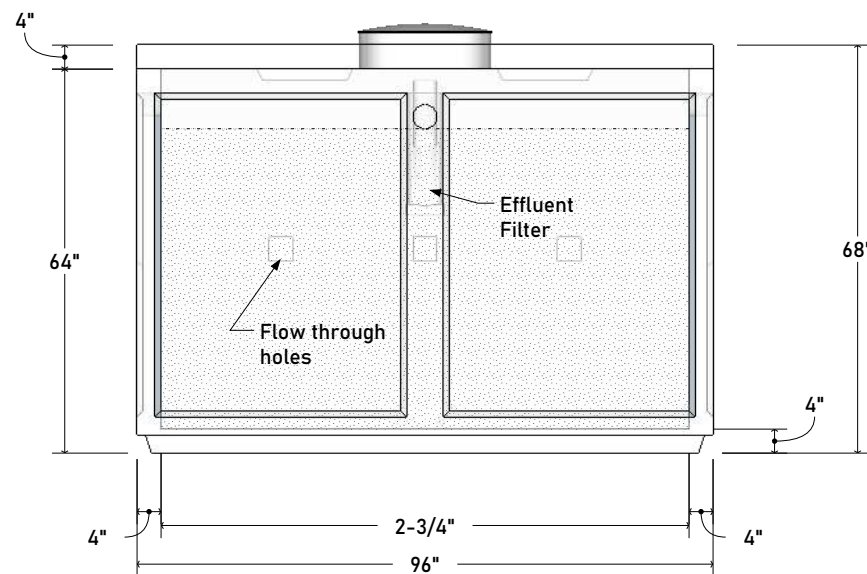
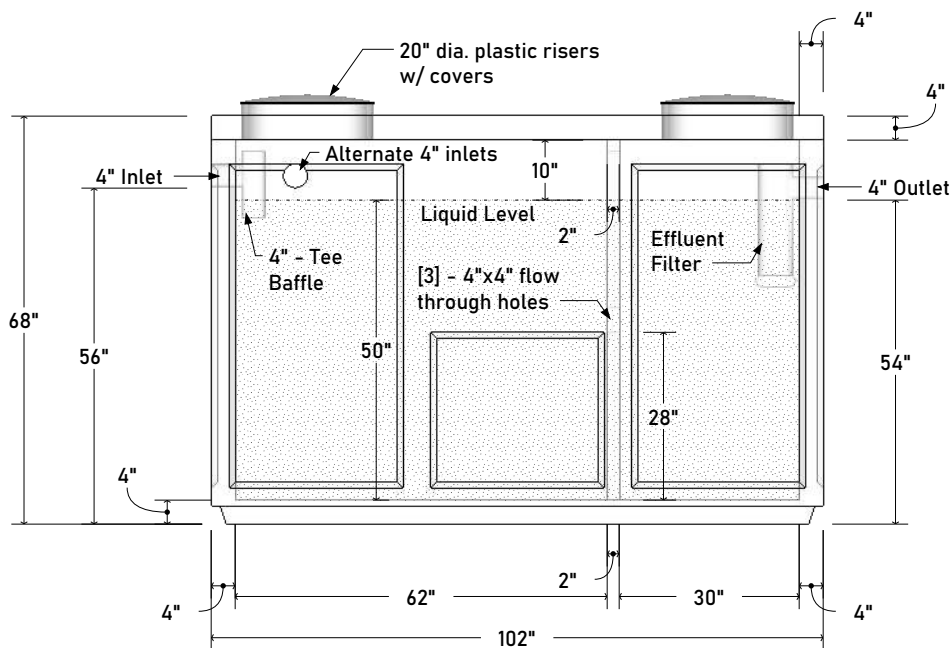
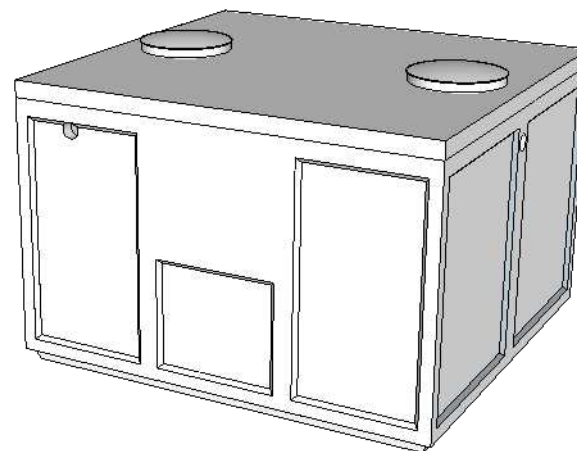
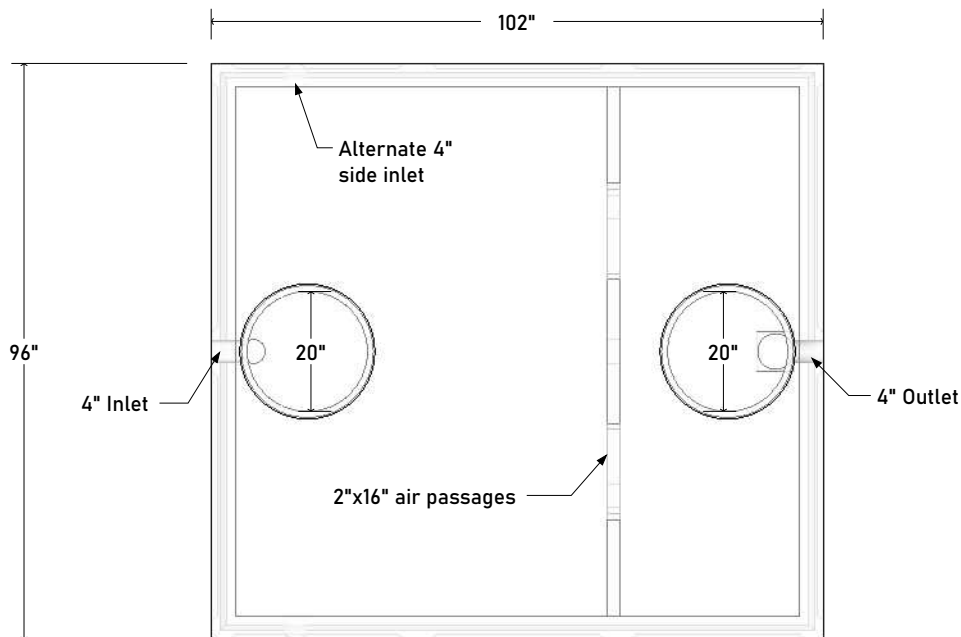


* Dimensions: 102" L x 96" W x 67" H
 * Invert - 56" Outlet - 54"



**OPC - 1500 gal
6800 liters**

- NOTES:**
- * Concrete strength - 4600 psi / 32 mpa (minimum)
 - * Steel reinforced
 - * Additional plastic risers available for variable grade requirements
 - * 4" pipe seal inlets and 4" pvc outlet (c/w effluent filter)

WEIGHT: (approx) TOTAL: 14,000 lbs / 6350 kg TOP: 3000 lbs / 1360 kg BOTTOM: 11,000 lbs / 4990 kg



1979 S. Sparrow Lake Rd.
 Severn Bridge, ON P0E-1N0
 Tel: 705-689-8428
 Fax: 705-689-1565
 info@orilliaprecast.com
 www.orilliaprecast.com