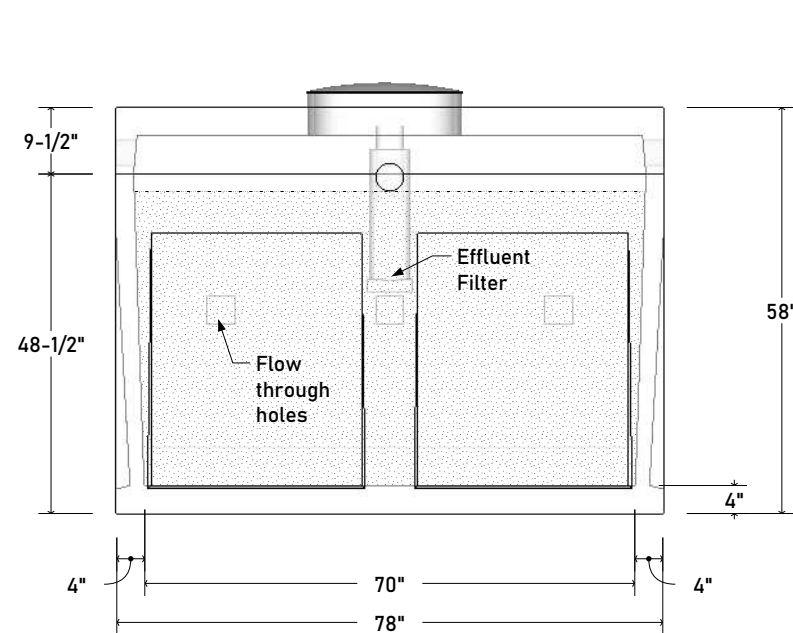
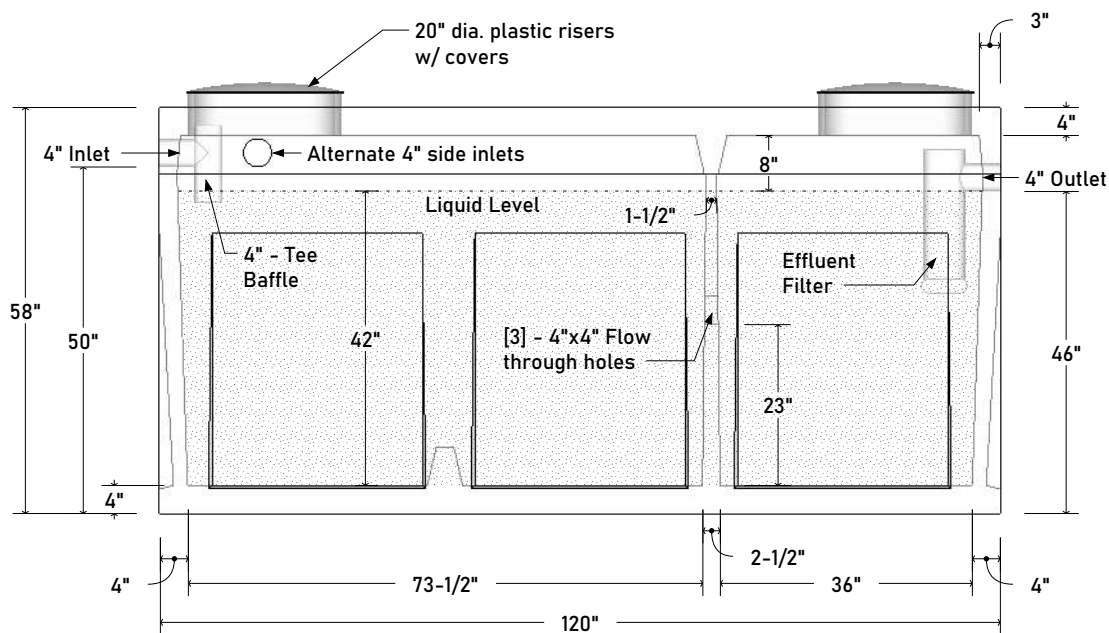
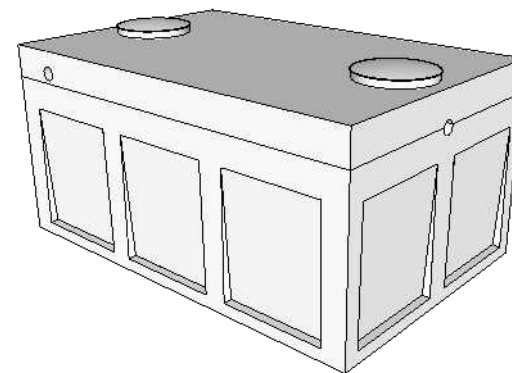
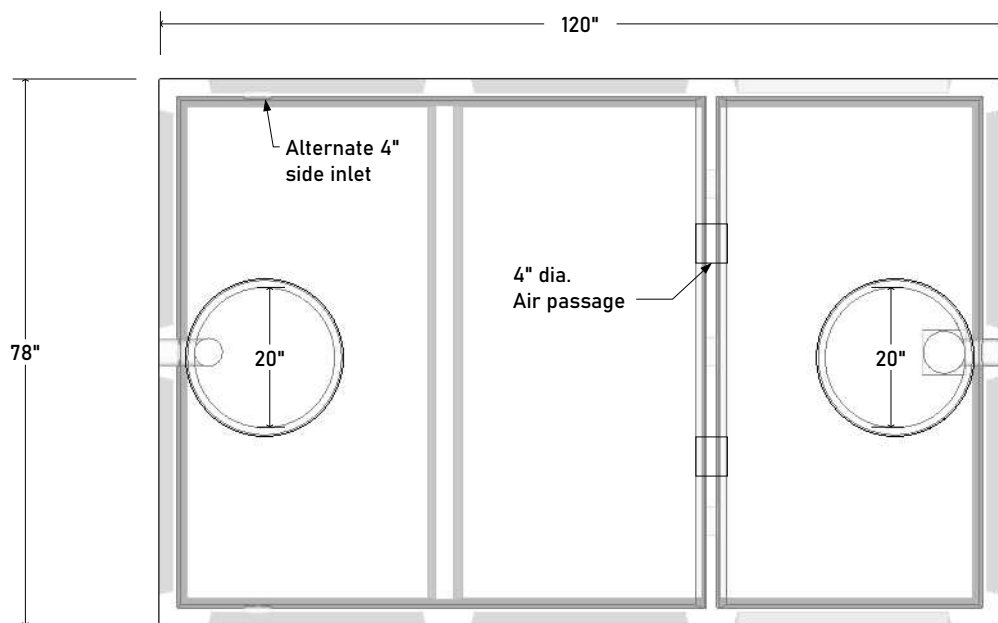


* Dimensions: 120" L x 78" W x 58" H

* Invert - 50" Outlet - 46"



**OPC - 1200 gal
5500 liters**

- NOTES:**
- * Concrete strength - 4600 psi / 32 mpa (minimum)
 - * Steel reinforced
 - * Additional plastic risers available for variable grade requirements
 - * 4" pipe seal inlets and 4" pvc outlet (c/w effluent filter)

WEIGHT: (approx) TOTAL: 10,648 lbs / 4830 kg TOP: 3860 lbs / 1750 kg BOTTOM: 6790 lbs / 3080 kg



1979 S. Sparrow Lake Rd.
Severn Bridge, ON P0E-1N0
Tel: 705-689-8428
Fax: 705-689-1565
info@orilliaprecast.com
www.orilliaprecast.com