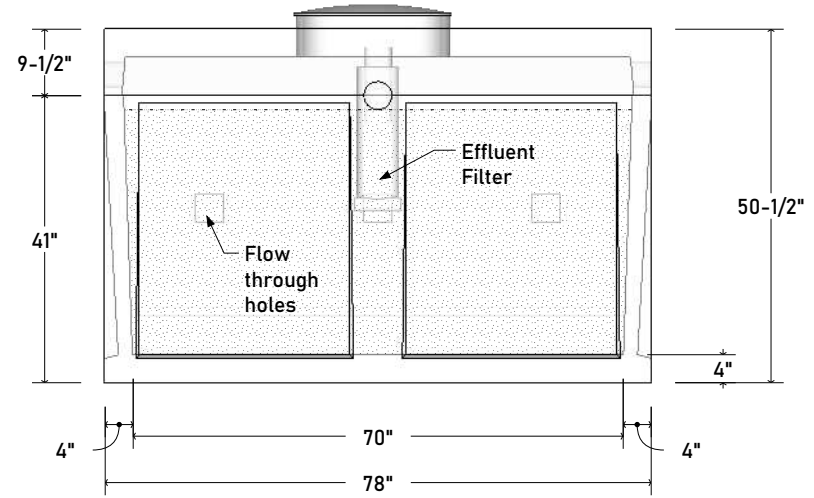
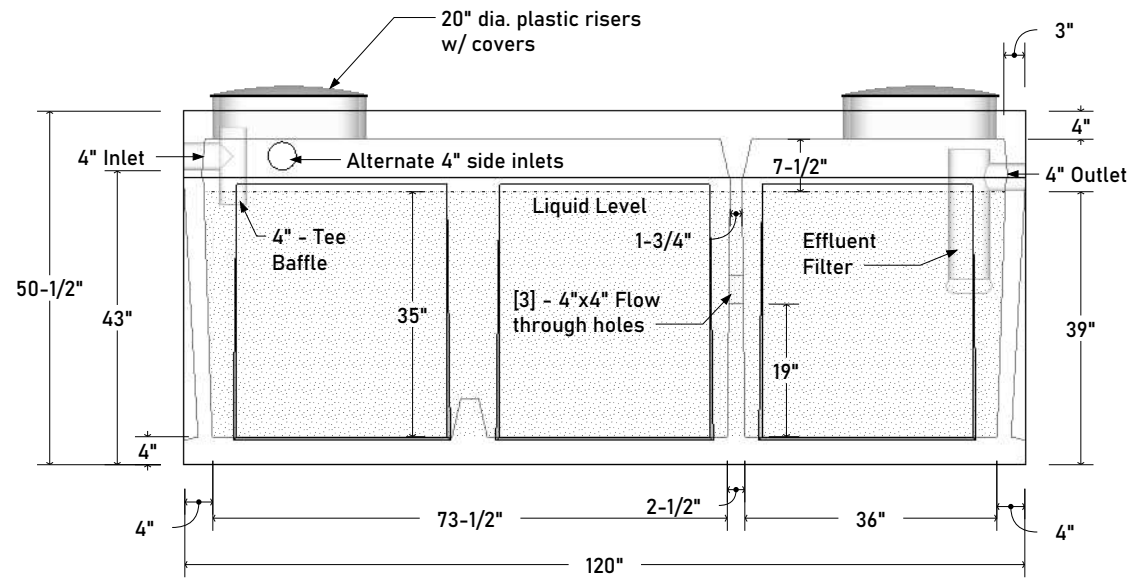
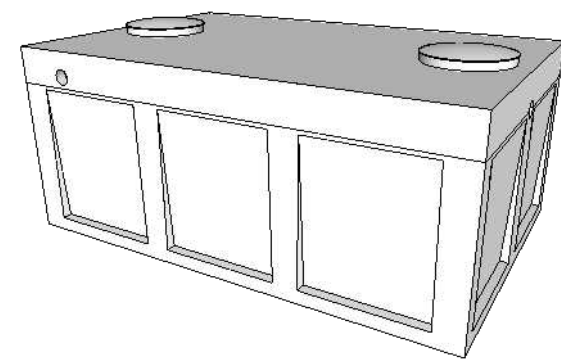
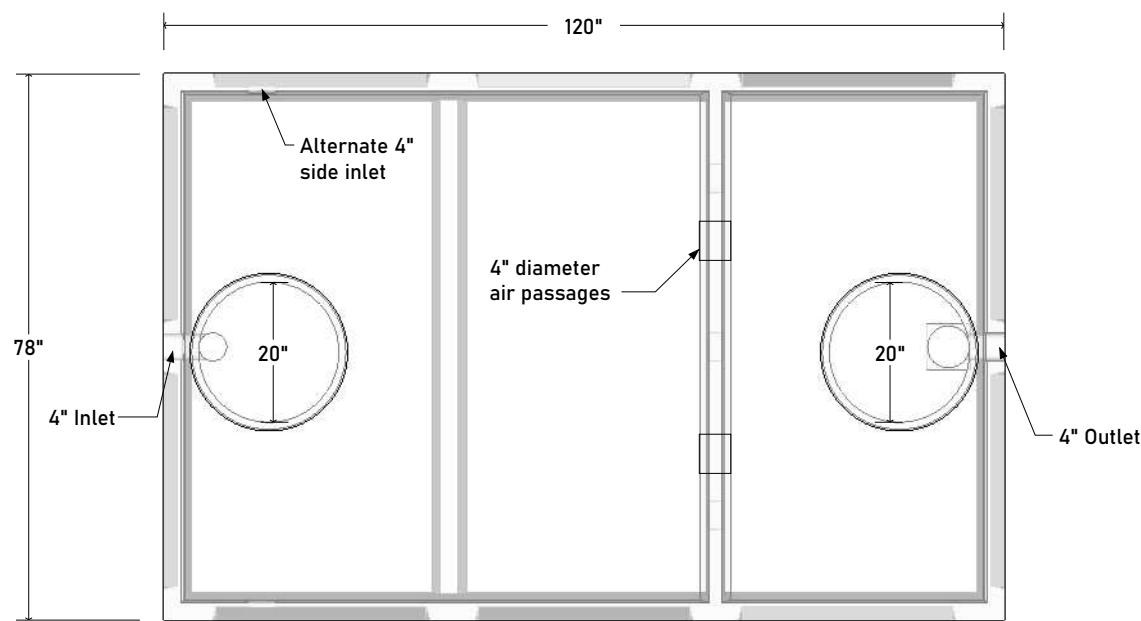


\* Dimensions: 120" L x 78" W x 51" H  
 \* Invert - 43" Outlet - 39"



**OPC - 1000 gal LOW  
 4500 liters**

- NOTES:**
- \* Concrete strength - 4600 psi / 32 mpa (minimum)
  - \* Steel reinforced
  - \* Additional plastic risers available for variable grade requirements
  - \* 4" pipe seal inlets and 4" pvc outlet (c/w effluent filter)

**WEIGHT:** (approx) TOTAL: 10,405 lbs / 4720 kg TOP: 3860 lbs / 1750 kg BOTTOM: 6546 lbs / 2970 kg



1979 S. Sparrow Lake Rd.  
 Severn Bridge, ON P0E-1N0  
 Tel: 705-689-8428  
 Fax: 705-689-1565  
 info@orilliaprecast.com  
 www.orilliaprecast.com