

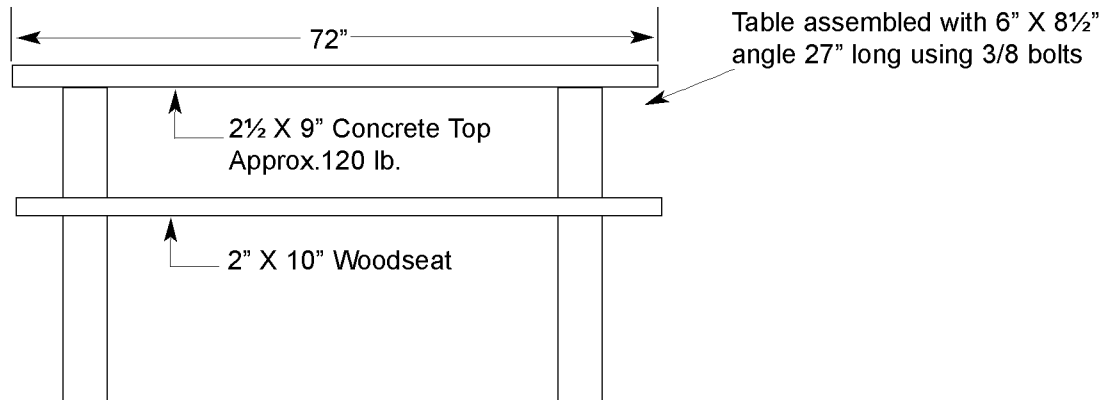
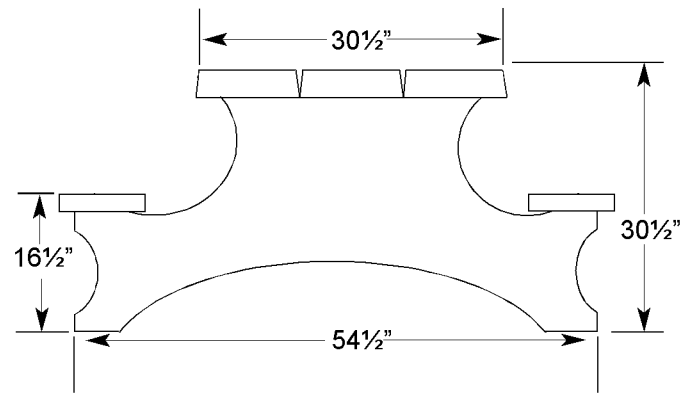


WELL TILES
 SEPTIC TANKS
 STAIRS & SLABS
 RETAINING WALLS
 BUILDING SYSTEMS
 MANHOLES/CATCH BASINS

1979 S. Sparrow Lake Rd., Severn Bridge, ON P0E 1N0
 Tel: 705-689-8428 Fax: 705-689-1565
 Email: info@orilliaprecast.com www.orilliaprecast.com

OPC PIKNIK

OPC PICNIC TABLE



SPECIFICATIONS

- Dimensions - 54,.5" W x 72" L x 30.5" H
- Weight - 600 lb./kg (assembled) (approximate)
- Concrete Strength - 4600 psi / 32 mpa (minimum)
- Steel and fibre reinforced
- Comes in kit form - can be bolted together by two people
- All concrete construction, except for wooden seats