



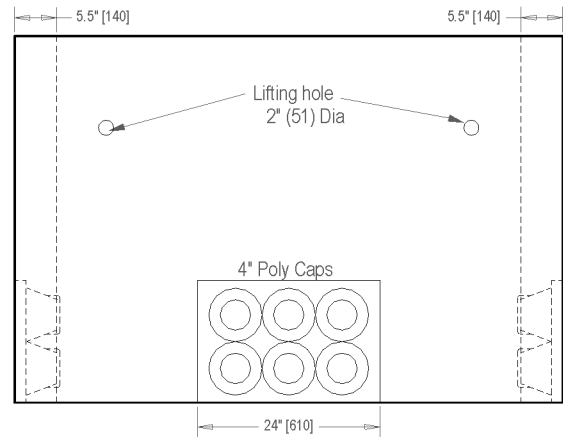
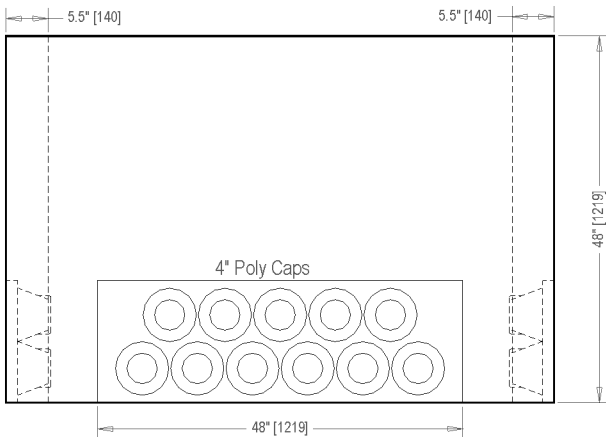
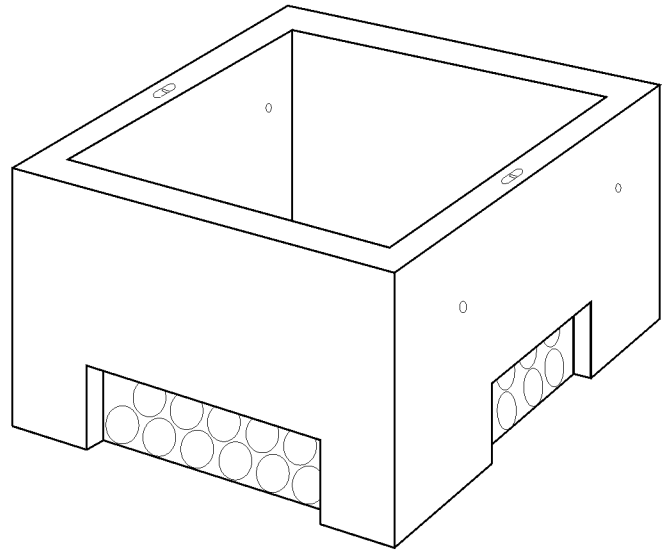
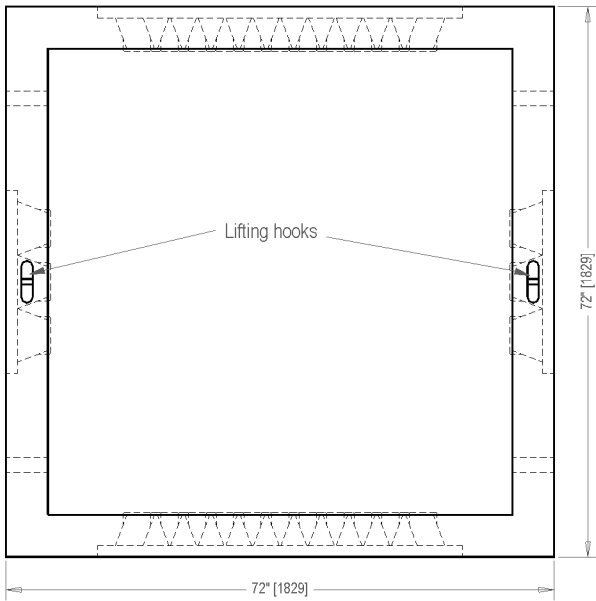
SEPTIC TANKS  
RETAINING WALLS  
BUILDING SYSTEMS

ORILLIA PRECAST CONCRETE LIMITED

2085 S. Sparrow Lake Rd., Severn Bridge, ON P0E 1N0  
Tel: 705-689-8428 Fax: 705-689-1565  
Email: [opc@xplornet.com](mailto:opc@xplornet.com) [www.orilliaprecast.com](http://www.orilliaprecast.com)

OPC 172 PC

## TRANSFORMER BASE



## SPECIFICATIONS

- Concrete strength – 4500 psi / 32 mpa (minimum)
- Steel Reinforced
- Weight (approximate) – 5150lbs / 2335 kg
- Dimensions - 72" L x 72" W x 48H