



SEPTIC TANKS  
RETAINING WALLS  
MANHOLES/CATCH BASINS

ORILLIA PRECAST CONCRETE LIMITED

1979 S. Sparrow Lake Rd., Severn Bridge, ON P0E 1N0  
Tel: 705-689-8428 Fax: 705-689-1565  
Email: info@orilliaprecast.com www.orilliaprecast.com

OPC -PJB

Mar. 27, 2008

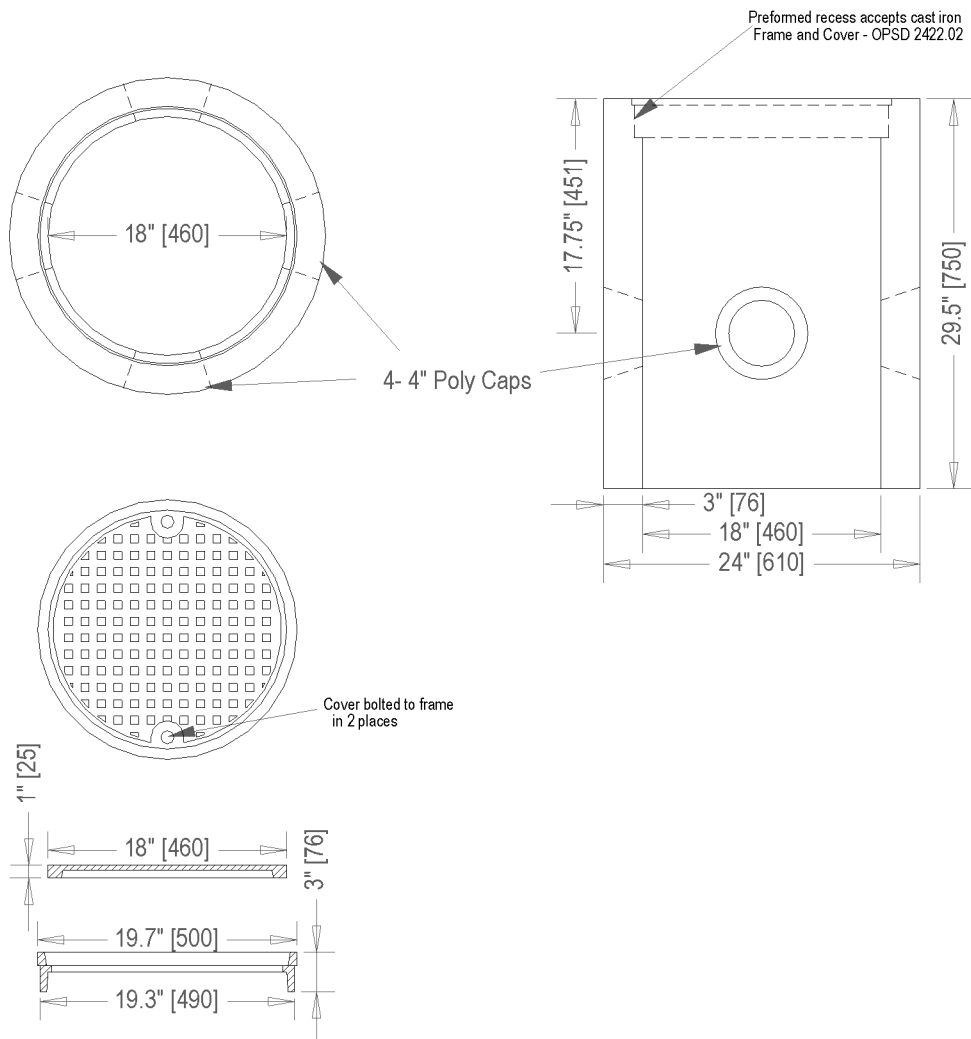
---

---

## PRECAST JUNCTION BOX

---

---



---

### SPECIFICATIONS

---

- Concrete strength – 4600 psi / 32 mpa (minimum)
- Total Wt. (approximate) 510 lbs / 225 kg
- Dimensions - 18" I.D. x 24" O.D. x 29.5" H ( 610mm x 750mm)
- Cable entry openings – 4 – 4" Polycaps