

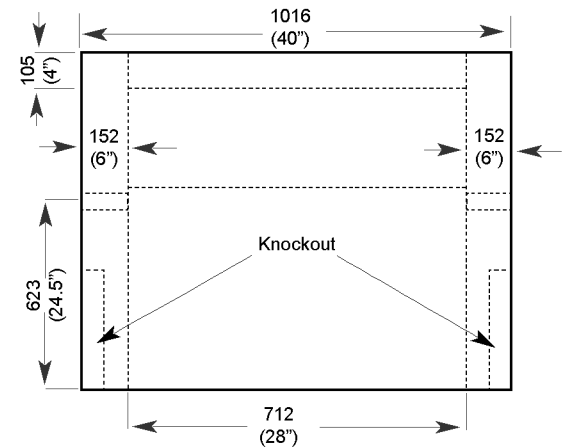
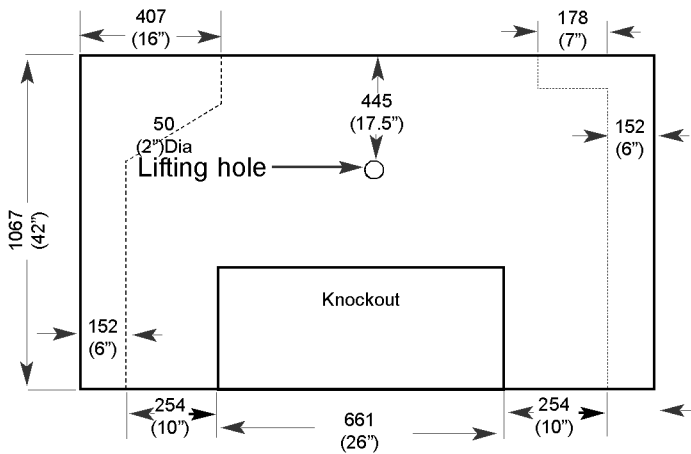
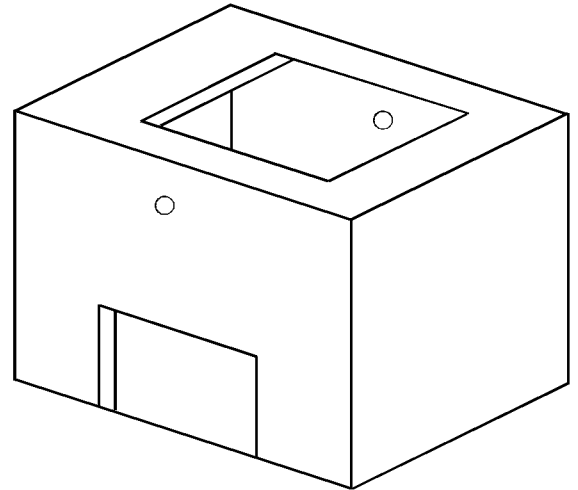
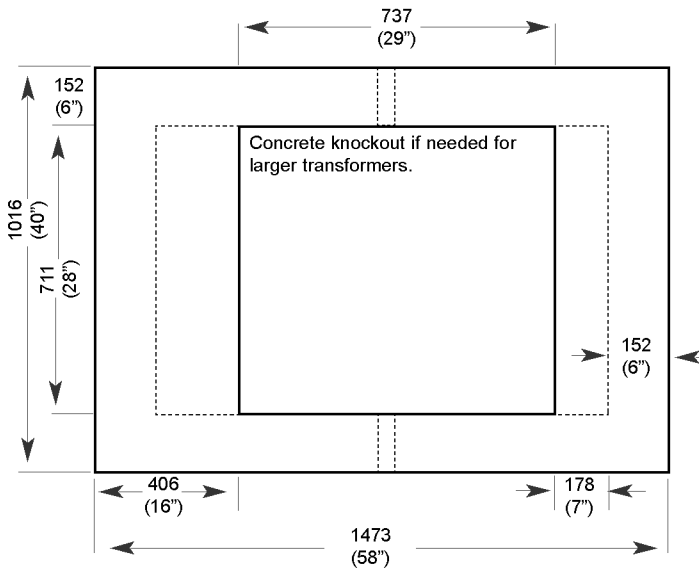


WELL TILES
SEPTIC TANKS
STAIRS & SLABS
RETAINING WALLS
BUILDING SYSTEMS
MANHOLES/CATCH BASINS

2085 S. Sparrow Lake Rd., Severn Bridge, ON P0E 1N0
Tel: 705-689-8428 Fax: 705-689-1565
Email: info@orilliaprecast.com www.orilliaprecast.com

OPC 50-100

TRANSFORMER BASE



SPECIFICATIONS

- Dimensions - 58" L x 40" W x 42" H - c/w 6" walls
- Weight - 3800 lb./1725kg (approximate)
- Concrete Strength - 4500 psi/35 mpa (minimum)
- Steel Reinforced
- Cable Entry Openings - two concrete knockouts