

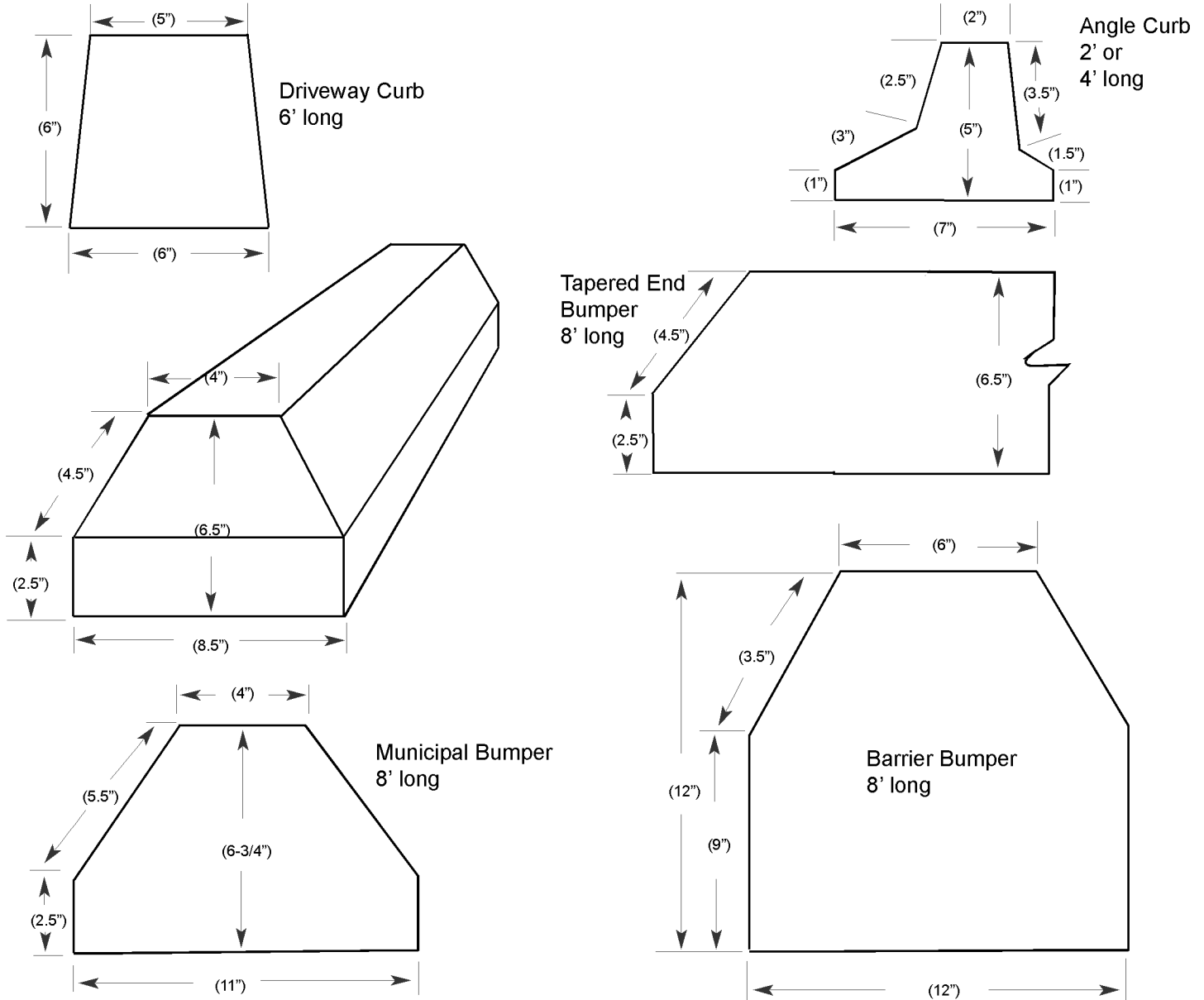


WELL TILES
 SEPTIC TANKS
 STAIRS & SLABS
 RETAINING WALLS
 BUILDING SYSTEMS
 MANHOLES/CATCH BASINS

1979 S. Sparrow Lake Rd., Severn Bridge, ON P0E 1N0
 Tel: 705-689-8428 Fax: 705-689-1565
 Email: info@orilliaprecast.com www.orilliaprecast.com

- 4' ANGLE CURB
- 6' DRIVEWAY CURB
- 8' TAPERED BUMPER
- 8' MUNICIPAL BUMPER
- 8' BARRIER BUMPER

BUMPERS AND CURBS



SPECIFICATIONS

- Parking bumpers can be pinned to asphalt or gravel
- Concrete Strength - 4600psi/32mpa (minimum)
- Steel Reinforced